

Installation Manual

- Read this document and the instruction manual to ensure that work is performed correctly and safely.
- This product's instruction manual can be downloaded from the Sansha Electric website.



<https://www.sansha.co.jp/products/download.html>

- In order to prevent injury to the worker or other persons, and to prevent damage to property, the following label categories and symbols are used to explain the items that must be observed.

Explanation of label categories

⚠ WARNING

This indicates information that involves the risk of death or serious injury.

⚠ CAUTION

This indicates information that involves the risk of injury or property damage.

Explanation of symbols

This is an item that must be carried out.

This is an item that is prohibited.

SANSHA ELECTRIC MFG. CO., LTD.

Head Office Tel +81-6-6325-0500
3-1-56 Nishiawaji, Higashiyodogawa-ku, Osaka, Japan

Safety Precautions

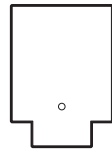
⚠ WARNING

- Required**
- Before installing this product, turn OFF the input power supply of the distribution panel and check that the power supply is OFF.

⚠ CAUTION

- Required**
- After installation, be sure to check the connection status. Usage with a failed connection to the conversion board will prevent the proper operation of the feedback control function, resulting in output continuously generated without control.

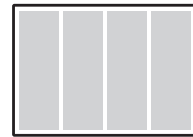
Checking the Package Contents



Communication board



Hex upset screw
(M3 × 6 mm, P = 4)



Installation manual
(this manual)

- Only use the included screws.

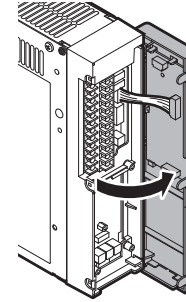
Using This Product with Other Optional Products

Install the optional products in the following order.

- ① Conversion board
- ② Communication board
- ③ Display panel

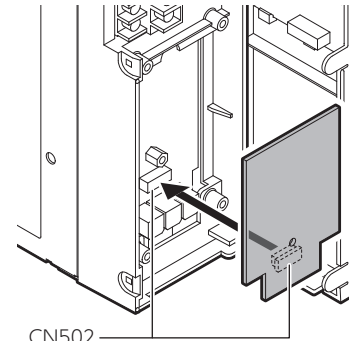
Installing the Product

- 1 Open the front door of the UG1 unit.

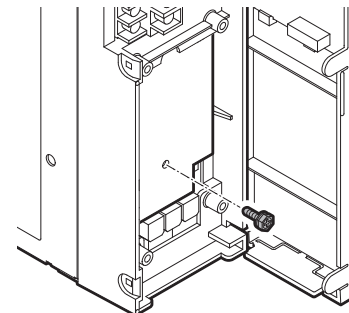


- 2 Connect the conversion board to the UG1 unit.

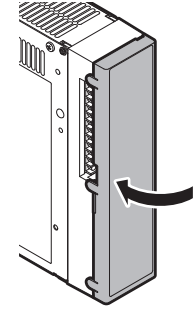
- Connect the connector while checking that the round hole on the conversion board is aligned with the screw hole of the hex post in the UG1 unit.
- Firmly connect the conversion board by pushing below its round hole.
- Do not hit the surrounding parts, during installation.



- 3 Use the hex upset screw to secure the conversion board.



- 4 Close the front door.



Checking the Connection Status

- 1 Open the connections between the ST and PH and between the GT and PH terminals on the terminal block.
- 2 Turn ON the control-side input power supply connected to the UG1 unit.
 - "Er.09" appears.
- 3 Select "F408" in FUNCTION mode.
- 4 If the conversion board installed in the UG1 unit appears, the devices are connected normally. If a connection failure appears, reinstall the conversion board, and then check the connection status again.

Model or connection status	Display
UG-TB1A	bb 1A
UG-TB1V	bb 1v
UG-TB3/UG-TB3H	bb 3
UG-TB3U/UG-TB3HU	bb 3U
UG-TB4/UG-TB4H	bb 4
Connection failure	- - - -

Enabling the Function

Refer to the instruction manual and enable the function of the conversion board.