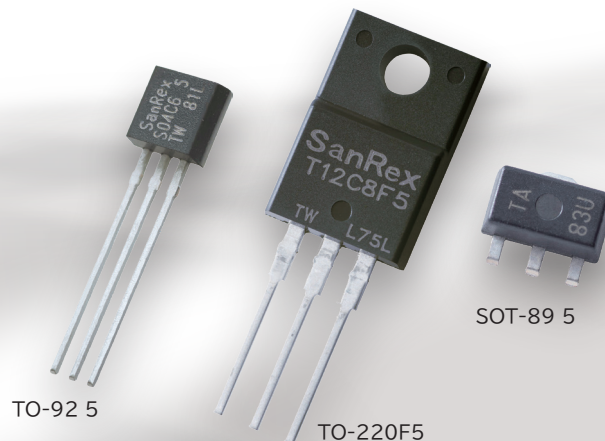


Triac / Thyristor

TMG/SMG 5 Series

Applications

- ▶ Fan Heater
- ▶ Bidet Toilet
- ▶ Washing Machine
- ▶ Rice Cooker



Features

- Triac-Available up to 800V
- Low Loss $V_T \text{ max} = 1.4V$
- $T_j \text{ max} = 150^\circ C$ (Q series)
- Low loss (Low V_T) by optimisation of silicon wafer and semiconductor process while maintaining high V_{DRM} .

TO-92 Package Triac/Thyristor Line up (UL File No.76102)

	Type	V_{DRM} V	I_T A	V_{TM} V	T_j $^\circ C$	IGT mA		Features
						I+I-III-	III+	
Triac	TMG1C60/80 5	600/800	1(RMS)	1.6	125	5	10	Sensitive Gate
	TMG1D60 5	600	1(RMS)	1.75	125	20	—	Standard
Thyristor	SMG04/05C60 5	600	0.4/0.5(AV)	1.2	125	0.1		Sensitive Gate

TO-220F Package Triac/Thyristor Line up (UL File No.76102)

$T_j = 150^\circ C$

	Type	V_{DRM} V	I_T (RMS) A	V_{TM} V	T_j $^\circ C$	IGT mA		Features
						I+I-III-	III+	
Triac	TMG2DQ60F5	600	2	1.6	150	5	—	Sensitive Gate/ $T_j = 150^\circ C$
	TMG2CQ60F5	600	2	1.6	150	15	—	$T_j = 150^\circ C$
	TMG3/5CQ60F5	600	3/5	1.4	150	20	—	
	TMG8/10/12/16/20CQ60F5	600	8/10/12/16/20	1.4	150	30	—	

$V_{DRM} = 800V$

	Type	V_{DRM} V	I_T (RMS) A	V_{TM} V	T_j $^\circ C$	IGT mA		Features
						I+I-III-	III+	
Triac	TMG2C80F5	800	2	1.6	125	15	—	$V_{DRM} = 800V$
	TMG3C80F5	800	3	1.4	125	15	—	
	TMG5C80F5	800	5	1.4	125	20	—	
	TMG8/10/12/16/20C80F5	800	8/10/12/16/20	1.4	125	30	—	

Sensitive Gate

	Type	V_{DRM} V	I_T (RMS) A	V_{TM} V	T_j $^\circ C$	IGT mA		Features
						I+I-III-	III+	
Triac	TMG2D60F5	600	2	1.6	125	5	10	Sensitive Gate
	TMG3D60F5	600	3	1.4	125	5	10	
	TMG5/8/10/12/16/20D60F5	600	5/8/10/12/16/20	1.4	125	10	—	

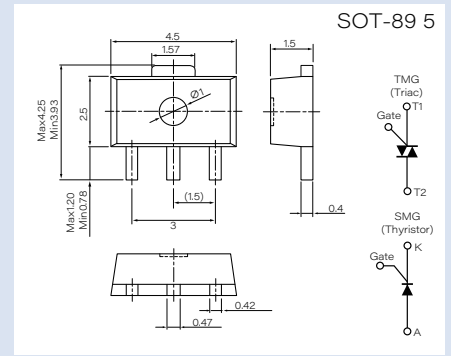
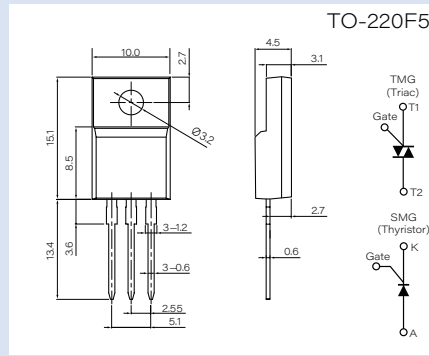
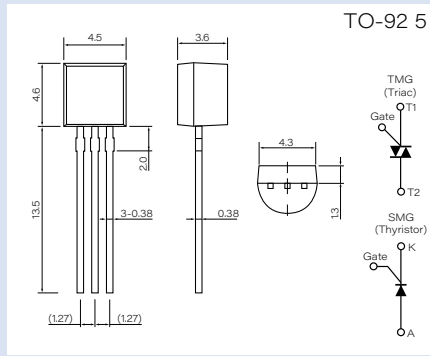
Standard

	Type	V_{DRM} V	I_T (AV) A	V_{TM} V	T_j $^\circ C$	IGT mA	Features
Thyristor	SMG5/8C60F5	600	5/8	1.5	125	10	Low Loss
	SMG12/16C60F5	600	12/16	1.5	125	30	

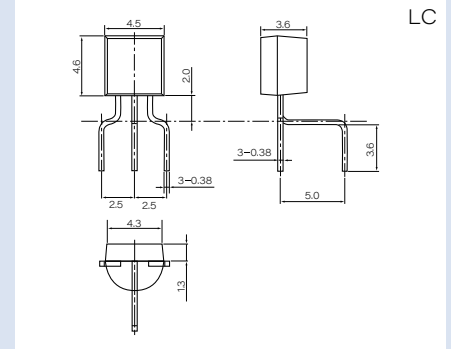
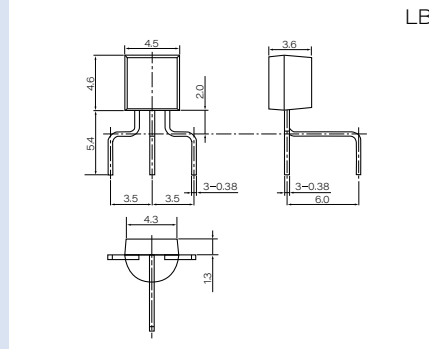
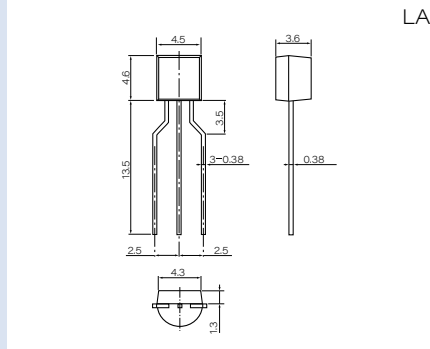
SOT-89 Package Triac/Thyristor Line up

	Type	V_{DRM} V	I_T A	V_{TM} V	T_j $^\circ C$	IGT mA		Features
						I+I-III-	III+	
Triac	TMG1C60A5	600	1(RMS)	1.6	125	5	10	Sensitive Gate
Thyristor	SMG08C60A5	600	0.8(AV)	1.5	125	0.1		Sensitive Gate

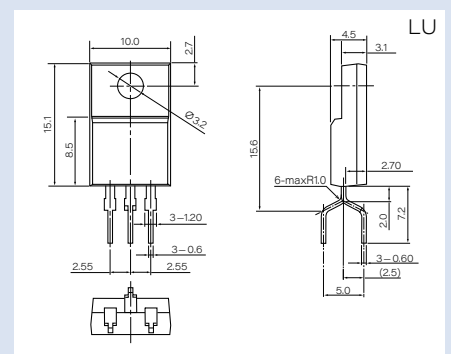
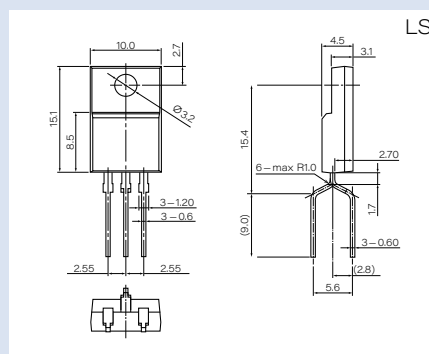
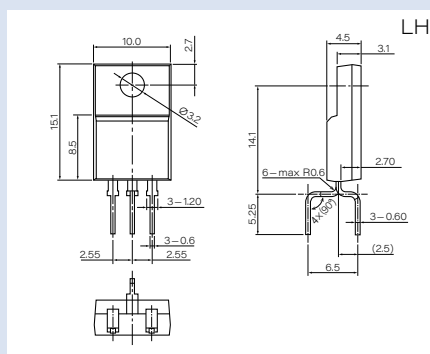
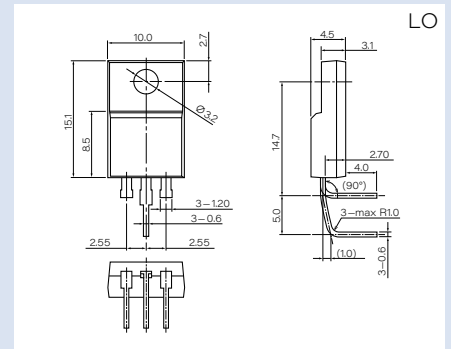
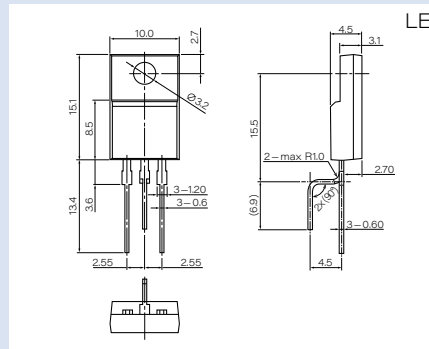
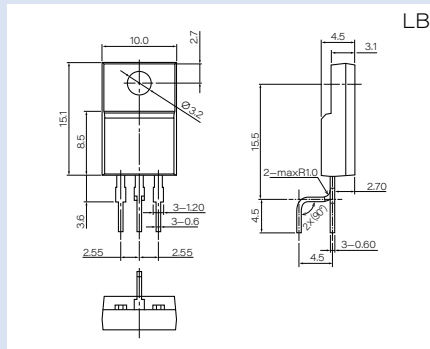
OUTLINE DRAWING



TO-92 5 LEAD FORMING



TO-220F5 LEAD FORMING



Please refer specification for details

- SanRex is a trademark or a registered trademark of Sansha Electric Manufacturing Co., Ltd.
- Appearance and specifications of products are subject to change without notice for improvement reasons.

SANSHA ELECTRIC MFG. CO., LTD.



URL: <https://www.sansha.co.jp/>

Head Office
 (International Sales Department)
Tokyo Branch
Chubu Sales Office
Kyushu Sales Office
Hokuriku Office

TEL: +81-6-6325-6621 FAX: +81-6-6325-0503
 TEL: +81-3-3834-1700 FAX: +81-3-3834-1702
 TEL: +81-52-955-5600 FAX: +81-52-955-5650
 TEL: +81-92-431-7586 FAX: +81-92-474-9643
 TEL: +81-76-293-1725 FAX: +81-76-293-1881

Helsinki Branch (Finland)
 Atomitie 5, Helsinki, 00370, Finland
 TEL: +358-40-1668580 E-mail: info@sanrex.fi

Seoul Branch (Korea)
 #706, 6, Samseong-ro 96-gil, Gangnam-gu Seoul
 06168 Korea
 TEL: +82-2-552-2803 FAX: +82-2-552-8441

Taipei Branch (Taiwan)
 8F-3, No.46, Chung Shan N. Road, Sec. 2, Taipei,
 Taiwan, R.O.C.
 TEL: +886-2-2543-5689 FAX: +886-2-2536-7876

SANSHA SOLUTION SERVICE CO., LTD. (Japan)
 TEL: +81-6-6321-0616 FAX: +81-6-6321-0618
 Service branches: Osaka, Tokyo, Nagoya, Fukuoka

SUWA SANSHA ELECTRIC CO., LTD. (Japan)
 TEL: +81-266-82-6600 FAX: +81-266-73-3322
<https://www.suwa.sansha.co.jp/>

SANREX CORPORATION (U.S.A.)
 TEL: +1-516-625-1313 FAX: +1-516-625-8845
<https://www.sanrex.com/>

SANREX ASIA PACIFIC PTE. LTD. (Singapore)
 TEL: +65-6457-8867 FAX: +65-6459-6425
<https://www.sanrex.sg/>

SANREX LIMITED (Hong Kong)
 TEL: +852-2744-1310 FAX: +852-2785-6009

SANSHA ELECTRIC MFG. (SHANGHAI) CO., LTD. (China)
 TEL: +86-21-5868-1058 FAX: +86-21-5868-1056

SANSHA ELECTRIC MFG. (GUANGDONG) CO., LTD. (China)
 TEL: +86-757-2733-3688 FAX: +86-757-2783-3547
<http://www.sanrex.cn/>

DONGGUAN EASTERN ELECTRONICS CO., LTD. (China)
 TEL: +86-769-8733-8301 FAX: +86-769-8733-8306